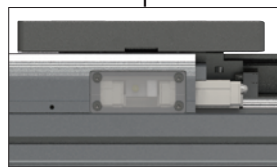
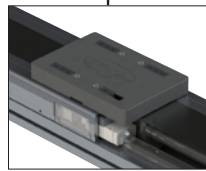


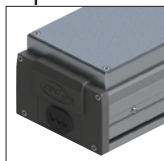
NCS series[For Clean]



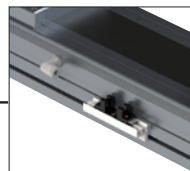
Grease filler on the side is provided as a default implementation, and this made maintenance much more convenient.



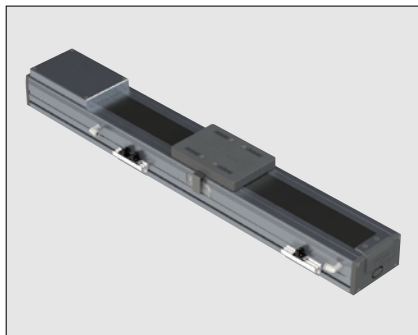
Slider can be customized on your request.



Motor cable lets you insert cable while motor is still mounted.



Suction port is given by default, and implementation of sensor rail for extrusion made managing and sensing the stroke easier.



Features

- LM Guide & ballscrew type unit
- Clean Type [Class 100 reactant]
- Compact design and high rigidity
- Various axis combinations
- Customized options
- Easy maintenance ()

How to order



① Series

② Model

45 / 65 / 90 / 120 / 180 / 210

※ Please contact us for longer stroke

③ Stroke

(Unit: mm)

Model	Ground(max)	rolled(max)
45	—	500
65	—	600
90	940	1200
120	940	1300
180	1200	1400
210	1160	1400

※ Please contact us for longer stroke

④ Ball Screw

Ball Screw		Model					
Symbol	Ball Screw	45	65	90	120	180	210
L1205	rolled Ø12-05lead	●	●				
L1210	rolled Ø12-10lead	●	●				
L1510	rolled Ø15-10lead			●	●		
L1520	rolled Ø15-20lead			●	●		
L2010	rolled Ø20-10lead					●	●
L2020	rolled Ø20-20lead					●	●
G1510	Ground Ø15-10lead			●	●		
G1520	Ground Ø15-20lead			●	●		
G2010	Ground Ø20-10lead					●	●
G2020	Ground Ø20-20lead					●	●

⑤ Color

Blank: white (outer)

L : white (outer) + LM raydent

S : white (outer) + ball screw raydent

A : white (outer) + LM / ball screw raydent

B : black (outer)

BL : black (outer) + LM raydent

BS : black (outer) + ball screw raydent

BA : black (outer) + LM / ball screw raydent

※ Please contact us for availability of black color.

⑥ Sensor (dog included)

Blank: None

C : Photo sensor + Basic socket – Basic 3EA

CA : Auto switch – Basic 3EA

CJ : C + Cable socket 2M – Basic 3EA

Other than basic: C(J)(QTY) ex) C2, CJ2

⑦ Motor mounting

Blank: None

⑦-1 Direct-coupled type(E), Embedded motor type (M) Motor Bracket (coupling included)

Type		Model					
Symbol	Power	45	65	90	120	180	210
E1	100W	●	●				
E2	200W		●				
M2(B)	200W			●	●		
M3(B)	400W			●	●	●	
M4(B)	750W					●	●

※ Note: 'B' for break type

⑦-2 Parallel type Motor Bracket

Type		Model					
Symbol	Power	45	65	90	120	180	210
PL1	100W	●	●				
PR1	100W	●	●				
PB1	100W	●	●				
PL2	200/400W		●	●	●	●	
PR2	200/400W		●	●	●	●	
PB2	200/400W		●	●	●	●	
PL3	750W					●	●
PR3	750W					●	●
PB3	750W					●	●

※ Please contact us for detailed specifications of parallel type.

⑧ Customized code



Numbers granted for customized orders

※ Please contact us for accessories & components order.

Sensor Dog

Model	Item number	Remarks
45	PDG-L45-PL	EE-SX674 전용
65	PDG-L65-PL	
90	PDG-L90-PL	
120	PDG-L120-PL	
180	PDG-L180-PL	
210	PDG-L210-PL	

Sensor

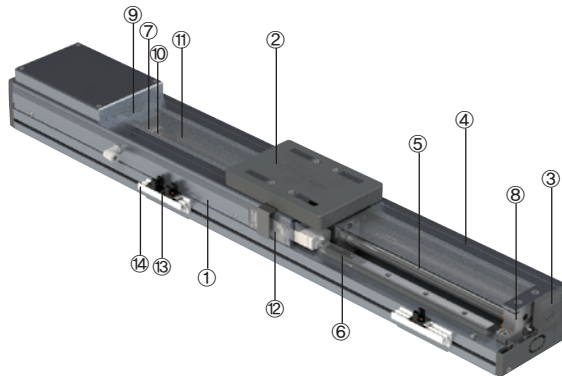
Model	Item number	Sensor & Connector
45	SX674-PL	 + EE-SX674+EE1001
65		
90		
120		
180		
210		
45	SX674-L-PL	 + EE-SX674+EE1006
65		
90		
120		
180		
210		

NCS Specifications

Specifications	NCS45	NCS65	NCS90	NCS120	NCS180	NCS210	
Max speed (mm/s)	500	500	1000	1000	1000	1000	
Payload (kgf)	Horizontal	10	15	20	60	100	130
	Vertical	3	5	7	20	40	60
Stroke(mm)	Rolled	Max.500	Max.600	Max.1200	Max.1300	Max.1400	Max.1400
	Ground			Max.940	Max.940	Max.1200	Max.1160
Repeatability (mm)	± 0.02	± 0.02	± 0.02	± 0.02	± 0.02	± 0.02	
Ball screw / lead (mm)	Ø12 / L05, 10	Ø12 / L05, 10	Ø15 / L10, 20	Ø15 / L10, 20	Ø20 / L10, 20	Ø20 / L10, 20	
No lead torque (Nm)	0.6	0.7	1	2.2	2.8	3.2	
LM Guide	No.12W(Mini)	No.15W(Mini)	No.20	No.15	No.20	No.25	
	1Rail 1Block	1Rail 2Block	1Rail 2Block	2Rail 4Block	2Rail 4Block	2Rail 4Block	
Basic weight (kgf)	2.1	3.2	5.2	7.3	17.5	23.9	
Weight per 100mm stroke (kgf)	0.3	0.5	0.9	1.1	2	2.5	
Motor (W)	100	100~200	200~400	200 ~ 400	400 ~ 750	750	
Size(mm, W x H)	45 x 50	65 x 62	90 x 104	124 x 98	180 x 119	210 x 135	

Note: special order for customization is available. (Motor, Raydent, LM Guide, etc.)

NCS Structure



Component List

NO	Item	Material	NO	Item	Material	Material
1	RAIL	Aluminum alloy	6	Model	LM GUIDE	Bearing steel
2	BLOCK	Aluminum alloy		45	No.12W / 1RAIL 1BLOCK	
3	END COVER	ABS		65	No.15W / 1RAIL 1BLOCK	
4	SIDE COVER	Aluminum alloy		90	No.20 / 1RAIL 2BLOCK	
5	BALL SCREW	Cr-Mo steel		120	No.15 / 2RAIL 4BLOCK	
7	FIX SUPPORT UNIT			180	No.20 / 2RAIL 4BLOCK	
8	FREE SUPPORT UNIT		210	No.25 / 2RAIL 4BLOCK		
9	COUPLING		12	SENSOR DOG		STEEL
10	STOPPER		13	SENSOR		
11	STEEL BAND	STS301	14	SENSOR RAIL		Aluminum alloy

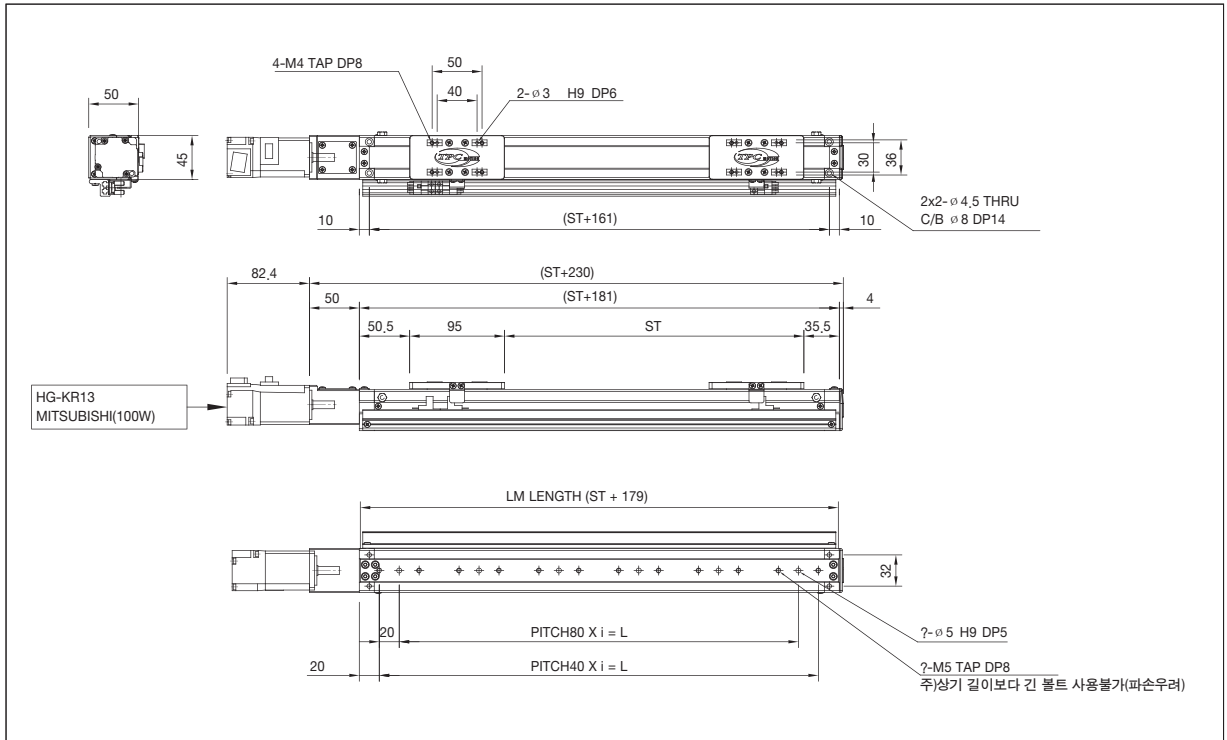
NCS45 – E

Basic specifications

Model	Stroke (mm)	Lead (mm)	Speed (mm/s)	Motor (W)	Max. Payload(kg)	
					Horizontal	Vertical
NCS45 – E	50 ~ 500	5	250	100	10	4
		10	500		7	3

Note: The length of the stroke listed above indicates the standard length for ground type ballscrew. Please contact us for other options not listed above.

NCS45-E Dimensions



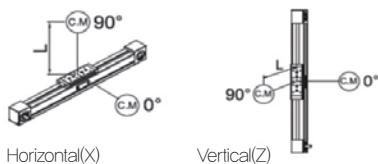
- Please contact us for a change in sensor or motor options.
- Customized TAP or PIN Pitch on the bottom is available.

Note: The dimension above is provided for your reference only. For an accurate measurement, please refer to the approved drawing.

Weight & speed for each stroke

Stroke(mm)	50	100	150	200	250	300	350	400	450	500	Lead (mm)	Motor (W)
Weight(kg)	2.3	2.4	2.6	2.7	2.9	3.0	3.2	3.3	3.5	3.6		
Max. Speed (mm/s)											5	100
											10	

Allowable overhang distance



Direction	NCS45-L05		NCS45-L10	
	10kg	5kg	6kg	3kg
Horizontal (X)	0°	20mm	80mm	85mm
	90°	130mm	330mm	250mm
Vertical (Z)	0°	4kg	2kg	2kg
	90°	70mm	130mm	335mm
		70mm	155mm	355mm

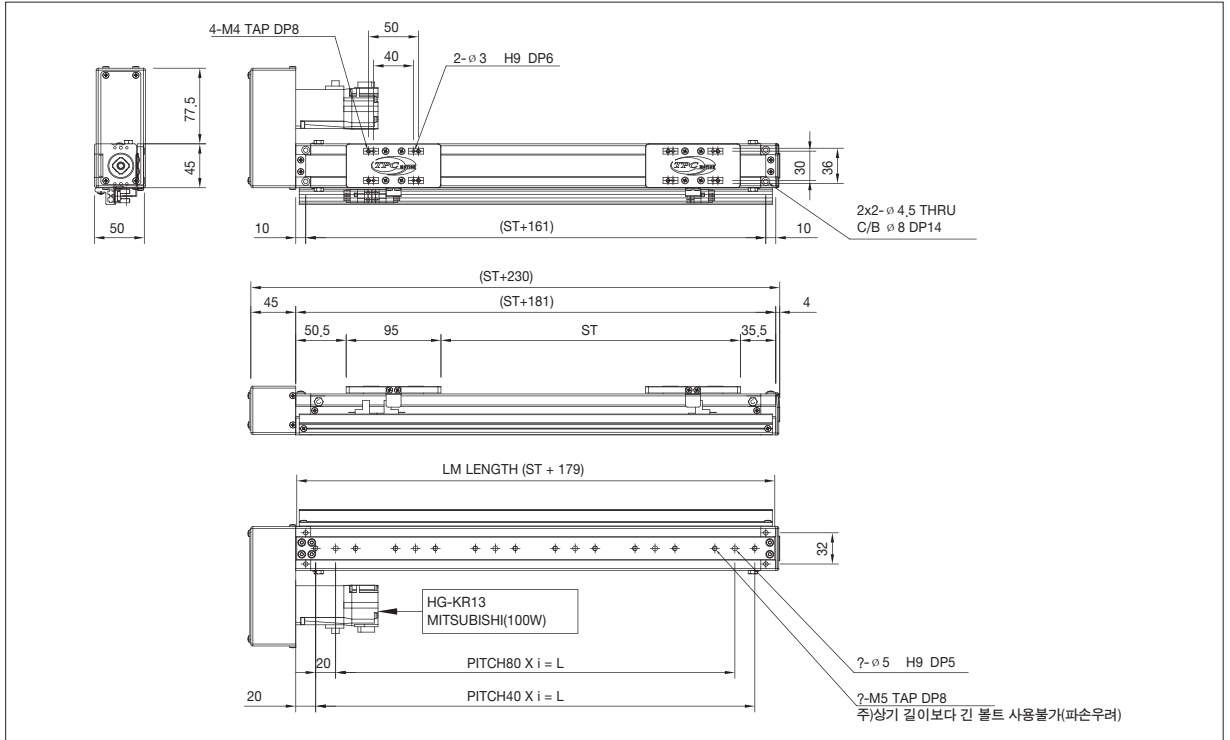
* This value is decided based on the lifetime formula of LM guide, (the lifetime of LM is 16,000 hours.)

Basic specifications

Model	Stroke (mm)	Lead (mm)	Speed (mm/s)	Motor (W)	Max. Payload(kg)	
					Horizontal	Vertical
NCS45 – PL	50 ~ 500	5	250	100	10	4
		10	500		7	3

Note: The length of the stroke listed above indicates the standard length for ground type ballscrew. Please contact us for other options not listed above.

NCS45-PL Dimensions



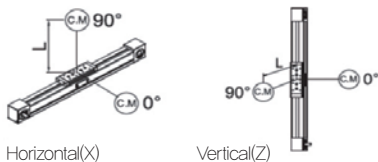
- Please contact us for a change in sensor or motor options.
- Customized TAP or PIN Pitch on the bottom is available.

Note: The dimension above is provided for your reference only. For an accurate measurement, please refer to the approved drawing.

Weight & speed for each stroke

Stroke(mm)	50	100	150	200	250	300	350	400	450	500	Lead (mm)	Motor (W)
Weight(kg)	2.3	2.4	2.6	2.7	2.9	3.0	3.2	3.3	3.5	3.6		
Max. Speed (mm/s)											5	100
											10	

Allowable overhang distance



Direction	NCS45-L05		NCS45-L10			
	10kg	5kg	6kg	3kg		
Horizontal (X)	0°	20mm	80mm	35mm	85mm	
	90°	130mm	330mm	100mm	250mm	
Vertical (Z)			4kg	2kg	3kg	2kg
	0°	70mm	130mm	155mm	335mm	
90°	70mm	130mm	155mm	355mm		

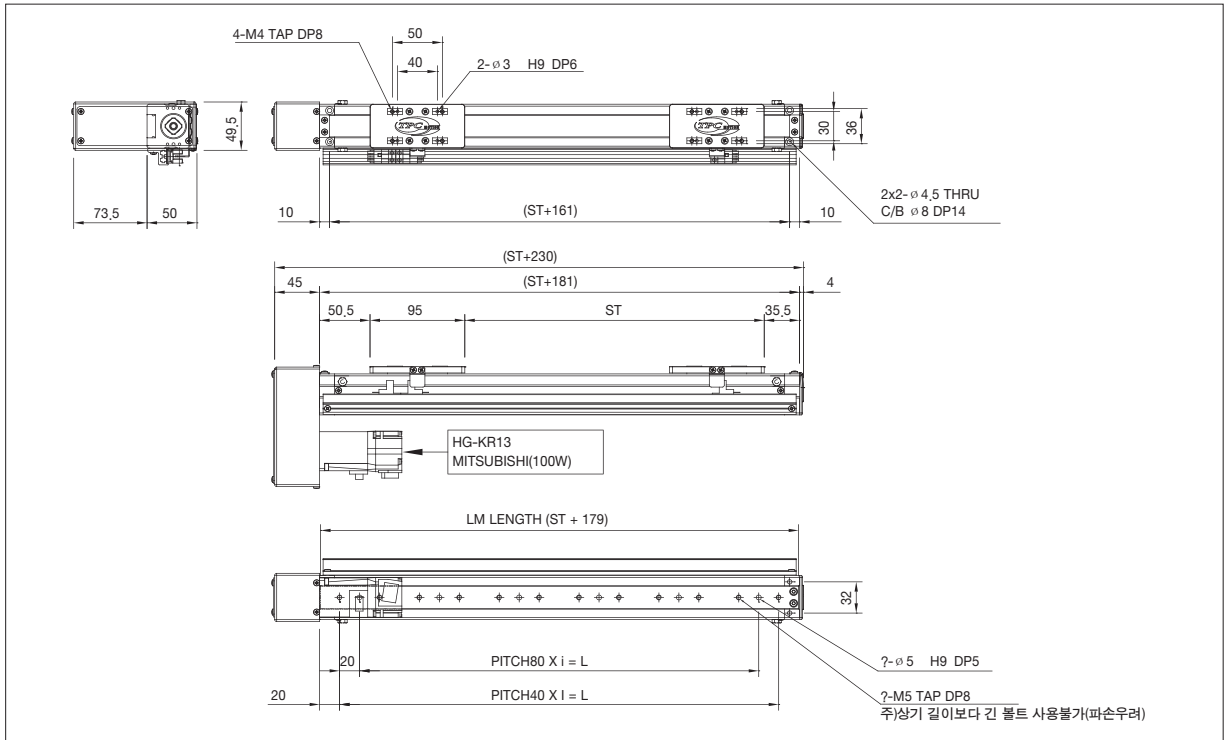
* This value is decided based on the lifetime formula of LM guide. (the lifetime of LM is 16,000 hours.)

Basic specifications

Model	Stroke (mm)	Lead (mm)	Speed (mm/s)	Motor (W)	Max. Payload(kg)	
					Horizontal	Vertical
NCS45 – PB	50 ~ 500	5	250	100	10	4
		10	500		7	3

Note: The length of the stroke listed above indicates the standard length for ground type ballscrew. Please contact us for other options not listed above.

NCS45-PB Dimensions



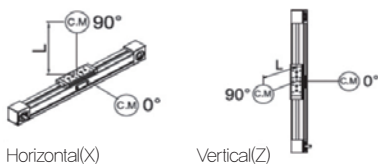
- Please contact us for a change in sensor or motor options.
- Customized TAP or PIN Pitch on the bottom is available.

Note: The dimension above is provided for your reference only. For an accurate measurement, please refer to the approved drawing.

Weight & speed for each stroke

Stroke(mm)	50	100	150	200	250	300	350	400	450	500	Lead (mm)	Motor (W)
Weight(kg)	2.3	2.4	2.6	2.7	2.9	3.0	3.2	3.3	3.5	3.6		
Max. Speed (mm/s)											5	100
											10	

Allowable overhang distance



Direction	NCS45-L05		NCS45-L10	
	10kg	5kg	6kg	3kg
Horizontal (X)	0°	20mm	80mm	85mm
	90°	130mm	330mm	250mm
Vertical (Z)	0°	4kg	2kg	3kg
	90°	70mm	130mm	155mm
		70mm	130mm	355mm

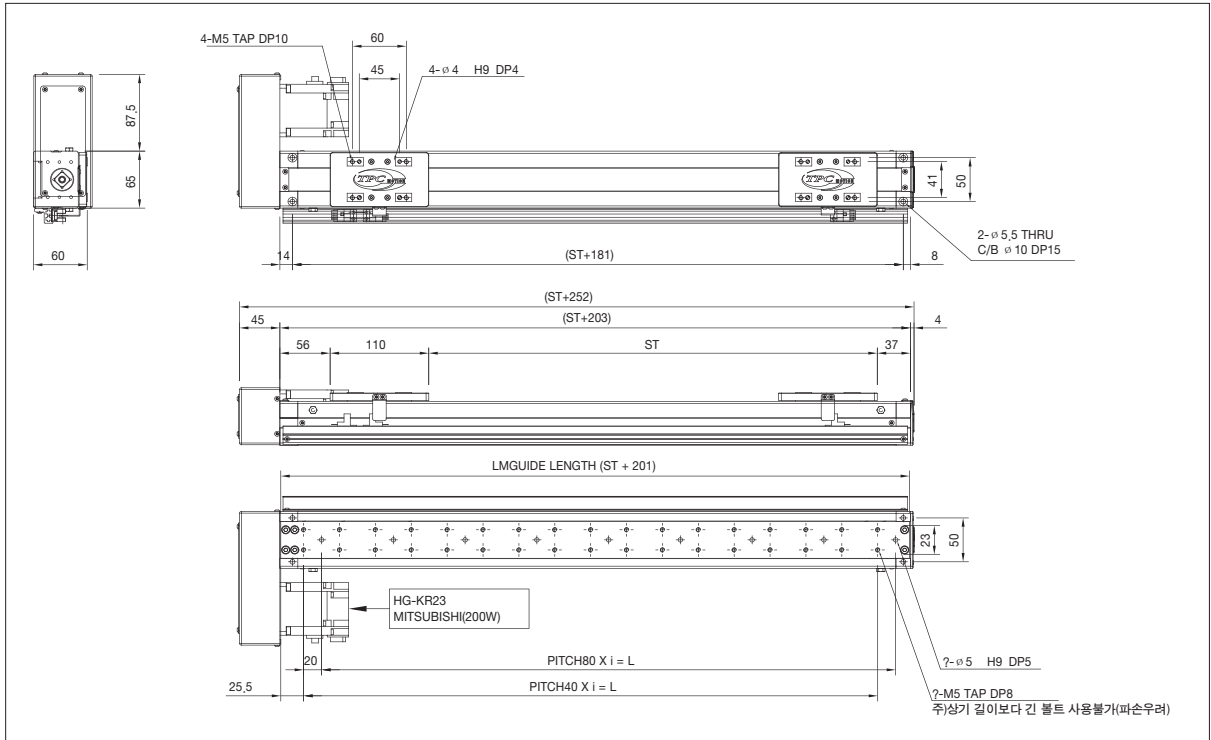
* This value is decided based on the lifetime formula of LM guide. (the lifetime of LM is 16,000 hours.)

Basic specifications

Model	Stroke (mm)	Lead (mm)	Speed (mm/s)	Motor (W)	Max. Payload(kg)	
					Horizontal	Vertical
NCS65 – PL	50 ~ 600	5	250	100	20	8
		10	500	200	20	6

Note: The length of the stroke listed above indicates the standard length for ground type ballscrew. Please contact us for other options not listed above.

NCS65-PL Dimensions



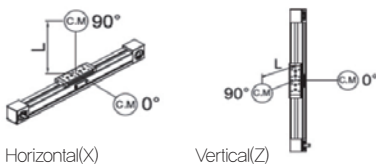
- Please contact us for a change in sensor or motor options.
- Customized TAP or PIN Pitch on the bottom is available.

Note: The dimension above is provided for your reference only. For an accurate measurement, please refer to the approved drawing.

Weight & speed for each stroke

Stroke(mm)	50	100	150	200	250	300	350	400	450	500	550	600	Lead (mm)	Motor (W)
Weight(kg)	2.3	3.7	4.0	4.2	4.5	4.7	5.0	5.2	5.5	5.7	6.0	6.2		
Max. Speed (mm/s)													5	100
													10	200

Allowable overhang distance



Direction	NCS65-L05		NCS65-L10		
	Weight	Overhang	Weight	Overhang	
Horizontal (X)	18kg	9kg	16kg	8kg	
	0°	20mm	80mm	35mm	85mm
	90°	130mm	330mm	100mm	250mm
Vertical (Z)		6kg	3kg	4kg	2kg
	0°	70mm	130mm	155mm	335mm
	90°	70mm	130mm	155mm	355mm

* This value is decided based on the lifetime formula of LM guide. (the lifetime of LM is 16,000 hours.)

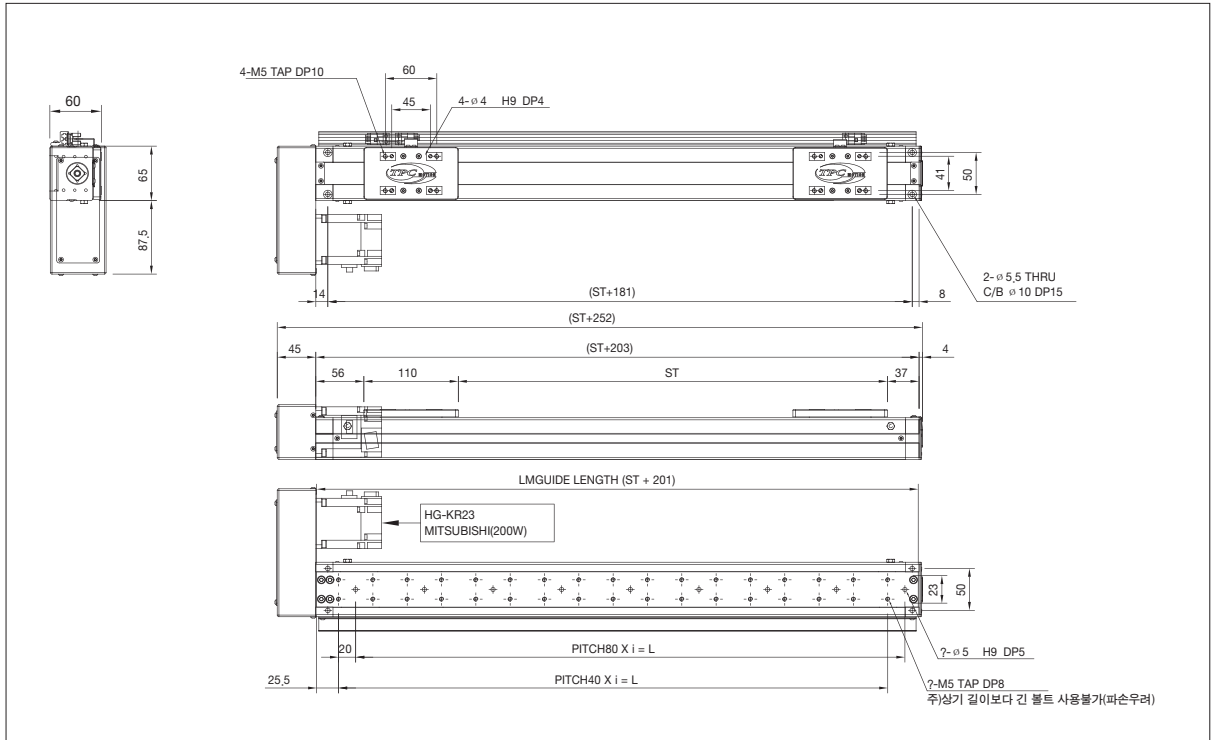
NCS65 – PR

Basic specifications

Model	Stroke (mm)	Lead (mm)	Speed (mm/s)	Motor (W)	Max. Payload(kg)	
					Horizontal	Vertical
NCS65 – PR	50 ~ 600	5	250	100	20	8
		10	500	200	20	6

Note: The length of the stroke listed above indicates the standard length for ground type ballscrew. Please contact us for other options not listed above.

NCS65-PR Dimensions



– Please contact us for a change in sensor or motor options.

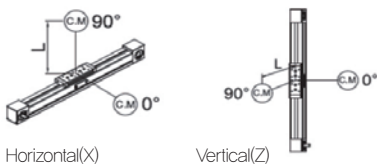
– Customized TAP or PIN Pitch on the bottom is available.

Note: The dimension above is provided for your reference only. For an accurate measurement, please refer to the approved drawing.

Weight & speed for each stroke

Stroke(mm)	50	100	150	200	250	300	350	400	450	500	550	600	Lead (mm)	Motor (W)
Weight(kg)	2.3	3.7	4.0	4.2	4.5	4.7	5.0	5.2	5.5	5.7	6.0	6.2		
Max. Speed (mm/s)													5	100
													10	200

Allowable overhang distance



Direction	NCS65-L05		NCS65-L10	
	18kg	9kg	16kg	8kg
Horizontal (X)	0°	20mm	80mm	35mm
	90°	130mm	330mm	100mm
Vertical (Z)		6kg	3kg	4kg
	0°	70mm	130mm	155mm
	90°	70mm	130mm	155mm

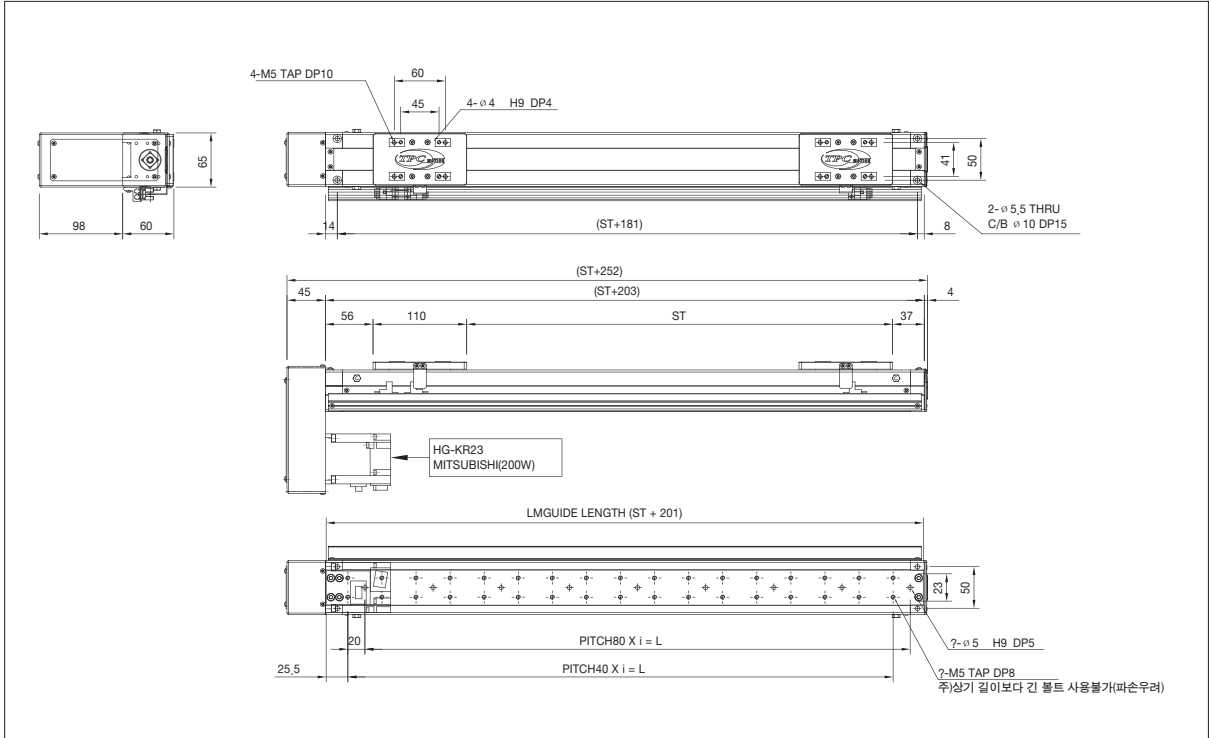
* This value is decided based on the lifetime formula of LM guide. (The lifetime of LM is 16,000 hours.)

Basic specifications

Model	Stroke (mm)	Lead (mm)	Speed (mm/s)	Motor (W)	Max. Payload(kg)	
					Horizontal	Vertical
NCS65 – PB	50 ~ 600	5	250	100	20	8
		10	500	200	20	6

Note: The length of the stroke listed above indicates the standard length for ground type ballscrew. Please contact us for other options not listed above.

NCS65–PB Dimensions



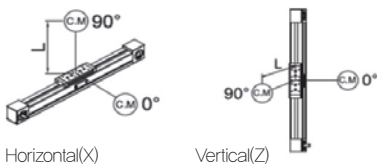
- Please contact us for a change in sensor or motor options.
- Customized TAP or PIN Pitch on the bottom is available.

Note: The dimension above is provided for your reference only. For an accurate measurement, please refer to the approved drawing.

Weight & speed for each stroke

Stroke(mm)	50	100	150	200	250	300	350	400	450	500	550	600	Lead (mm)	Motor (W)
Weight(kg)	2.3	3.7	4.0	4.2	4.5	4.7	5.0	5.2	5.5	5.7	6.0	6.2		
Max. Speed (mm/s)													5	100
													10	200

Allowable overhang distance



Direction		NCS65–L05		NCS65–L10	
		Lead	Weight	Lead	Weight
Horizontal (X)	0°	18mm	9kg	16mm	8kg
	90°	20mm	80mm	35mm	85mm
	90°	130mm	330mm	100mm	250mm
Vertical (Z)	0°	6kg	3kg	4kg	2kg
	90°	70mm	130mm	155mm	335mm
	90°	70mm	130mm	155mm	355mm

* This value is decided based on the lifetime formula of LM guide. (the lifetime of LM is 16,000 hours.)

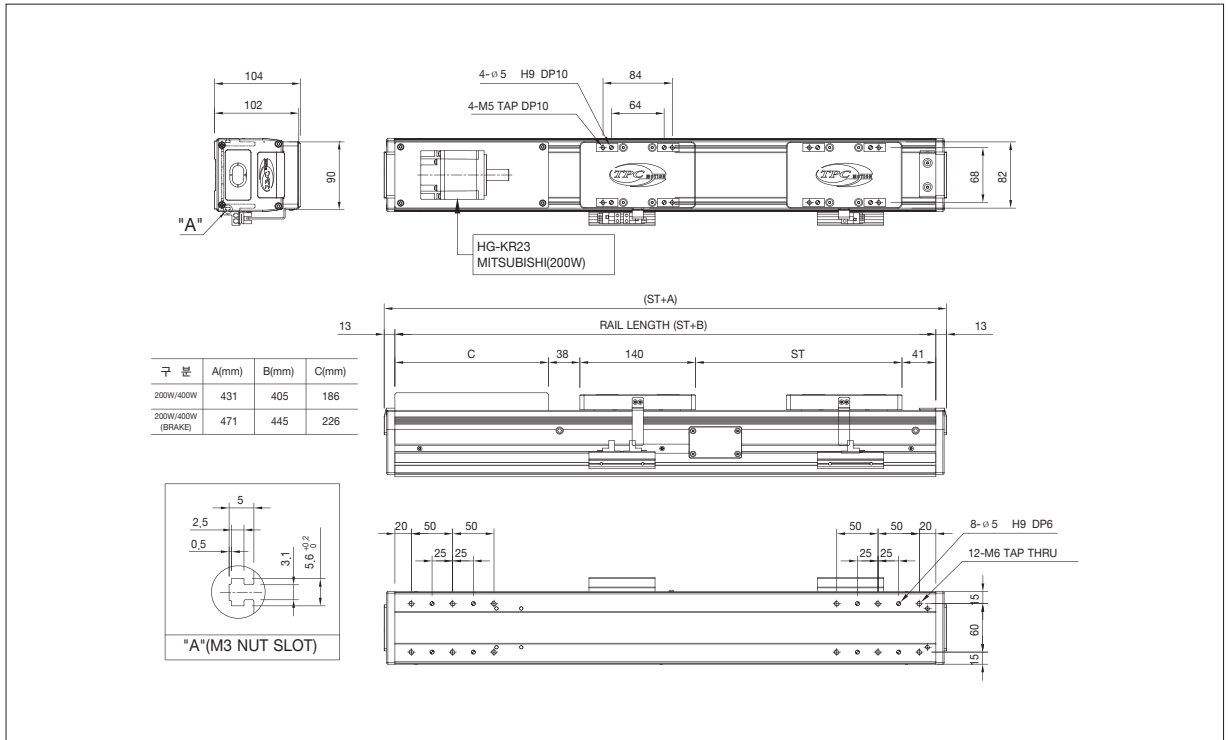
NCS90 – M

Basic specifications

Model	Stroke (mm)	Lead (mm)	Speed (mm/s)	Motor (W)	Max. Payload(kg)	
					Horizontal	Vertical
NCS90 – M	50 ~ 940	10	500	200	20	10
		20	1000		15	8

Note: The length of the stroke listed above indicates the standard length for ground type ballscrew. Please contact us for other options not listed above.

NCS90-M Dimensions



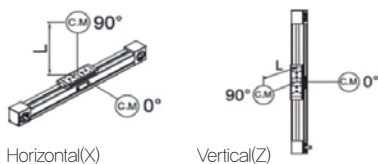
- Please contact us for a change in sensor or motor options.
- Customized TAP or PIN Pitch on the bottom is available.

Note: The dimension above is provided for your reference only. For an accurate measurement, please refer to the approved drawing.

Weight & speed for each stroke

Stroke(mm)	100	200	300	400	500	600	700	800	900	1000	Lead (mm)	Motor (W)
Weight(kg)	6.1	7.0	7.9	8.8	9.7	10.6	11.5	12.4	13.3	14.2		
Max. Speed (mm/s)	500						440	370	300	250	10	200
	1000						890	700	600	500	20	

Allowable overhang distance



Direction	NCS90-L10		NCS90-L20		
	Horizontal (X)	30kg	15kg	20kg	10kg
Horizontal (X)	0°	25mm	50mm	25mm	50mm
	90°	200mm	750mm	150mm	490mm
Vertical (Z)	10kg	5kg	6kg	3kg	
	0°	25mm	50mm	25mm	50mm
Vertical (Z)	90°	250mm	470mm	270mm	500mm

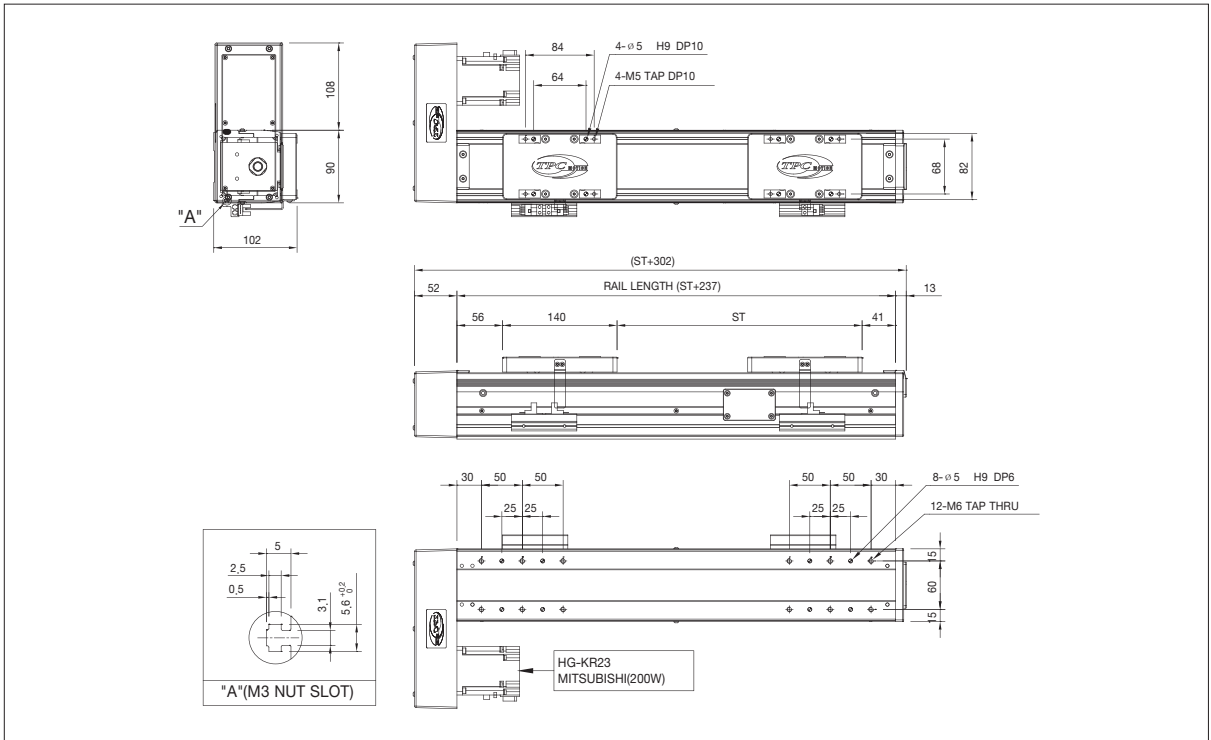
* This value is decided based on the lifetime formula of LM guide. (the lifetime of LM is 16,000 hours.)

Basic specifications

Model	Stroke (mm)	Lead (mm)	Speed (mm/s)	Motor (W)	Max. Payload(kg)	
					Horizontal	Vertical
NCS90 – PL	50 ~ 940	10	500	200	20	10
		20	1000		15	8

Note: The length of the stroke listed above indicates the standard length for ground type ballscrew. Please contact us for other options not listed above.

NCS90-PL Dimensions



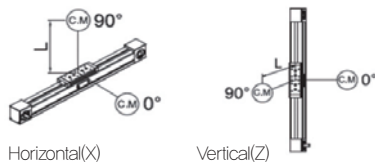
- Please contact us for a change in sensor or motor options.
- Customized TAP or PIN Pitch on the bottom is available.

Note: The dimension above is provided for your reference only. For an accurate measurement, please refer to the approved drawing.

Weight & speed for each stroke

Stroke(mm)	100	200	300	400	500	600	700	800	900	1000	Lead (mm)	Motor (W)
Weight(kg)	6.1	7.0	7.9	8.8	9.7	10.6	11.5	12.4	13.3	14.2		
Max. Speed (mm/s)	500						440	370	300	250	10	200
	1000						890	700	600	500	20	

Allowable overhang distance



Direction	NCS90-L10		NCS90-L20	
	0°	90°	0°	90°
Horizontal (X)	30kg	15kg	20kg	10kg
	25mm	50mm	25mm	50mm
Vertical (Z)	200mm	750mm	150mm	490mm
	10kg	5kg	6kg	3kg
Vertical (Z)	25mm	50mm	25mm	50mm
	250mm	470mm	270mm	500mm

* This value is decided based on the lifetime formula of LM guide. (the lifetime of LM is 16,000 hours.)

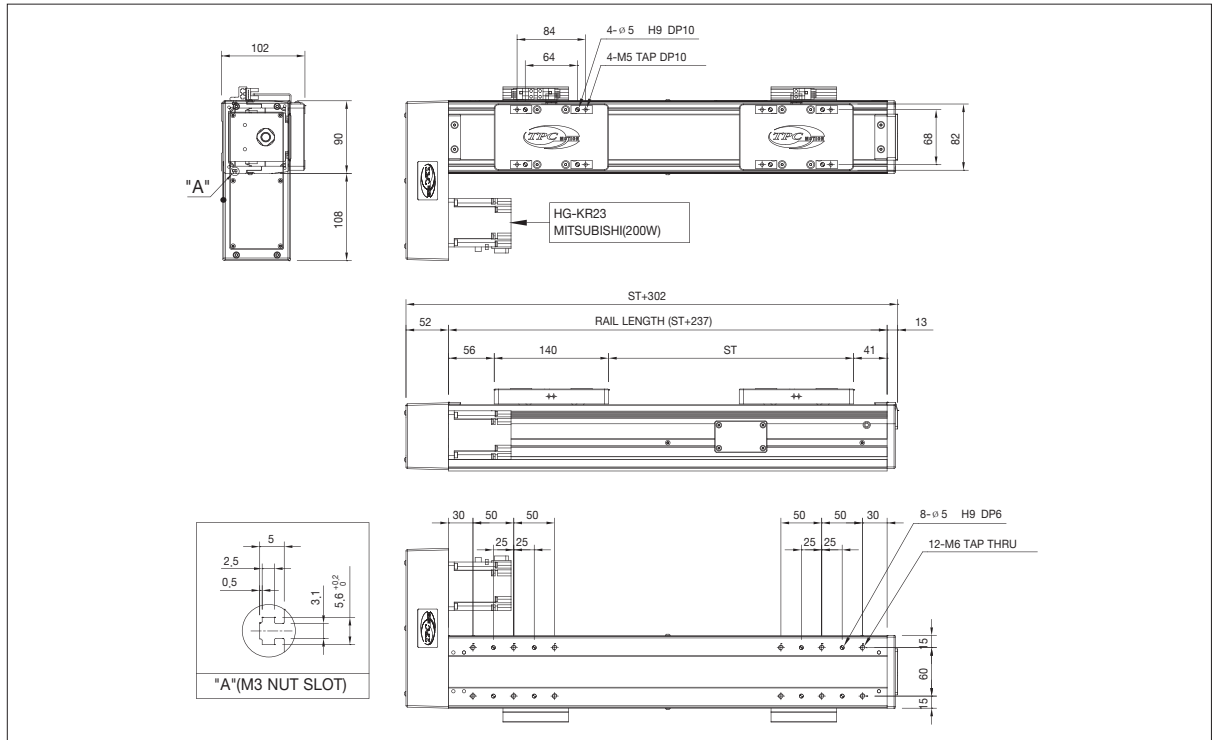
NCS90 – PR

Basic specifications

Model	Stroke (mm)	Lead (mm)	Speed (mm/s)	Motor (W)	Max. Payload(kg)	
					Horizontal	Vertical
NCS90 – PR	50 ~ 940	10	500	200	20	10
		20	1000		15	8

Note: The length of the stroke listed above indicates the standard length for ground type ballscrew. Please contact us for other options not listed above.

NCS90-PR Dimensions



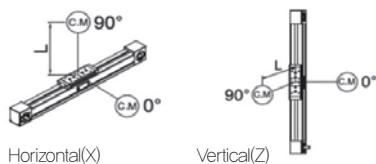
- Please contact us for a change in sensor or motor options.
- Customized TAP or PIN Pitch on the bottom is available.

Note: The dimension above is provided for your reference only. For an accurate measurement, please refer to the approved drawing.

Weight & speed for each stroke

Stroke(mm)	100	200	300	400	500	600	700	800	900	1000	Lead (mm)	Motor (W)
Weight(kg)	6.1	7.0	7.9	8.8	9.7	10.6	11.5	12.4	13.3	14.2		
Max. Speed (mm/s)	500						440	370	300	250	10	200
	1000						890	700	600	500	20	

Allowable overhang distance



Direction	NCS90-L10		NCS90-L20		
	Weight	Length	Weight	Length	
Horizontal (X)	30kg	15kg	20kg	10kg	
	0°	25mm	50mm	25mm	50mm
	90°	200mm	750mm	150mm	490mm
Vertical (Z)	10kg	5kg	6kg	3kg	
	0°	25mm	50mm	25mm	50mm
	90°	250mm	470mm	270mm	500mm

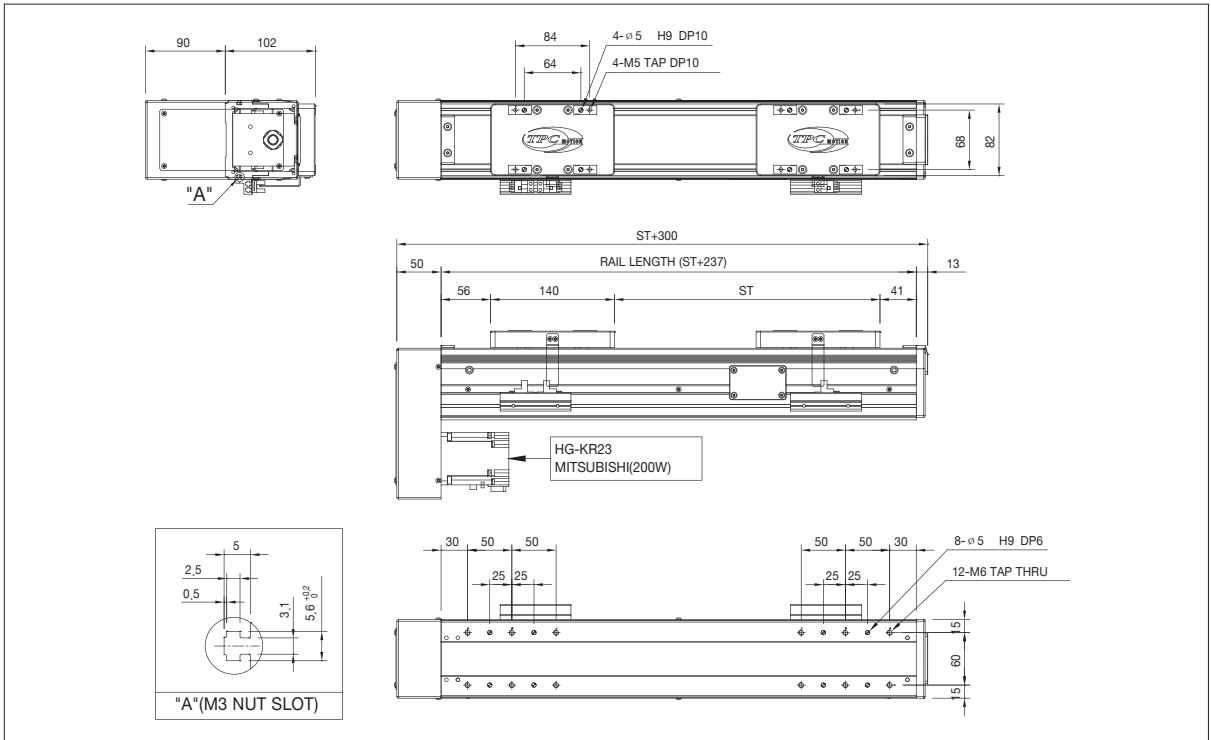
* This value is decided based on the lifetime formula of LM guide. (the lifetime of LM is 16,000 hours.)

Basic specifications

Model	Stroke (mm)	Lead (mm)	Speed (mm/s)	Motor (W)	Max. Payload(kg)	
					Horizontal	Vertical
NCS90 – PB	50 ~ 940	10	500	200	20	10
		20	1000		15	8

Note: The length of the stroke listed above indicates the standard length for ground type ballscrew. Please contact us for other options not listed above.

NCS90-PB Dimensions



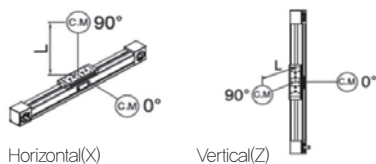
- Please contact us for a change in sensor or motor options.
- Customized TAP or PIN Pitch on the bottom is available.

Note: The dimension above is provided for your reference only. For an accurate measurement, please refer to the approved drawing.

Weight & speed for each stroke

Stroke(mm)	100	200	300	400	500	600	700	800	900	1000	Lead (mm)	Motor (W)
Weight(kg)	6.1	7.0	7.9	8.8	9.7	10.6	11.5	12.4	13.3	14.2		
Max. Speed (mm/s)	500						440	370	300	250	10	200
	1000						890	700	600	500	20	

Allowable overhang distance



Direction	NCS90-L10		NCS90-L20		
	Weight	Length	Weight	Length	
Horizontal (X)	30kg	15kg	20kg	10kg	
	0°	25mm	50mm	25mm	50mm
	90°	200mm	750mm	150mm	490mm
Vertical (Z)	10kg	5kg	6kg	3kg	
	0°	25mm	50mm	25mm	50mm
	90°	250mm	470mm	270mm	500mm

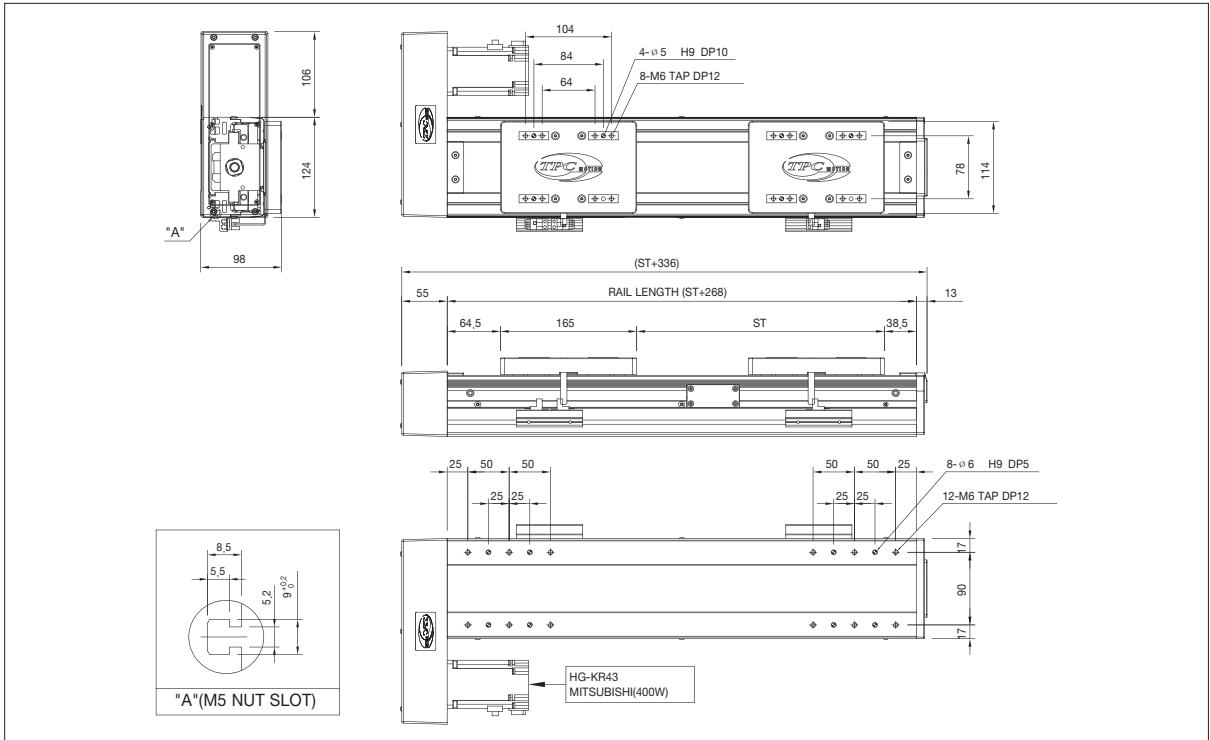
* This value is decided based on the lifetime formula of LM guide. (the lifetime of LM is 16,000 hours.)

Basic specifications

Model	Stroke (mm)	Lead (mm)	Speed (mm/s)	Motor (W)	Max. Payload(kg)	
					Horizontal	Vertical
NCS120 – PL	50 ~ 940	10	500	200	80	20
		20	1000	400	40	15

Note: The length of the stroke listed above indicates the standard length for ground type ballscrew. Please contact us for other options not listed above.

NCS120-PL Dimensions



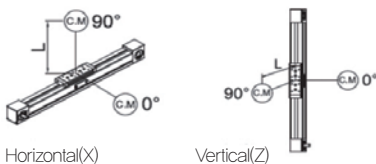
- Please contact us for a change in sensor or motor options.
- Customized TAP or PIN Pitch on the bottom is available.

Note: The dimension above is provided for your reference only. For an accurate measurement, please refer to the approved drawing.

Weight & speed for each stroke

Stroke(mm)	100	200	300	400	500	600	700	800	900	1000	Lead (mm)	Motor (W)
Weight(kg)	8.4	9.5	10.6	11.7	12.8	13.9	15.0	16.1	17.2	18.3		
Max. Speed (mm/s)	500						440	370	300	250	10	200
	1000						890	700	600	500	20	(400)

Allowable overhang distance



Direction	NCS120-L15		NCS120-L20(400W)		
	60kg	30kg	20kg	10kg	
Horizontal (X)	0°	150mm	300mm	150mm	300mm
	90°	450mm	1350mm	1000mm	2100mm
Vertical (Z)		20kg	10kg	8kg	4kg
	0°	150mm	300mm	150mm	300mm
	90°	150mm	400mm	300mm	650mm

* This value is decided based on the lifetime formula of LM guide. (the lifetime of LM is 16,000 hours.)

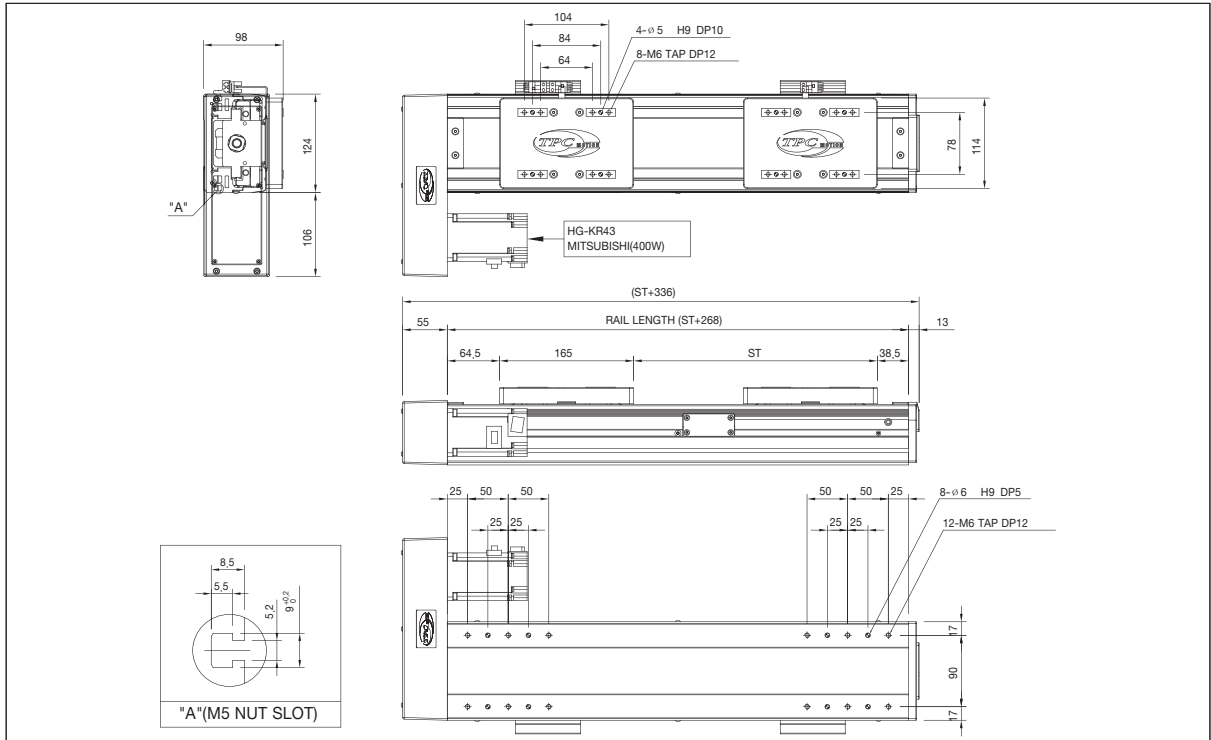
NCS120 – PR

Basic specifications

Model	Stroke (mm)	Lead (mm)	Speed (mm/s)	Motor (W)	Max. Payload(kg)	
					Horizontal	Vertical
NCS120 – PR	50 ~ 940	10	500	200	80	20
		20	1000	400	40	15

Note: The length of the stroke listed above indicates the standard length for ground type ballscrew. Please contact us for other options not listed above.

NCS120-PR Dimensions



– Please contact us for a change in sensor or motor options.

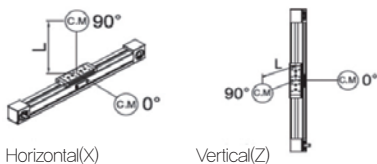
– Customized TAP or PIN Pitch on the bottom is available.

Note: The dimension above is provided for your reference only. For an accurate measurement, please refer to the approved drawing.

Weight & speed for each stroke

Stroke(mm)	100	200	300	400	500	600	700	800	900	1000	Lead (mm)	Motor (W)
Weight(kg)	8.4	9.5	10.6	11.7	12.8	13.9	15.0	16.1	17.2	18.3		
Max. Speed (mm/s)	500						440	370	300	250	10	200 (400)
	1000						890	700	600	500	20	

Allowable overhang distance



Direction	NCS120-L15		NCS120-L20(400W)		
	60kg	30kg	20kg	10kg	
Horizontal (X)	0°	150mm	300mm	150mm	300mm
	90°	450mm	1350mm	1000mm	2100mm
Vertical (Z)		20kg	10kg	8kg	4kg
	0°	150mm	300mm	150mm	300mm
	90°	150mm	400mm	300mm	650mm

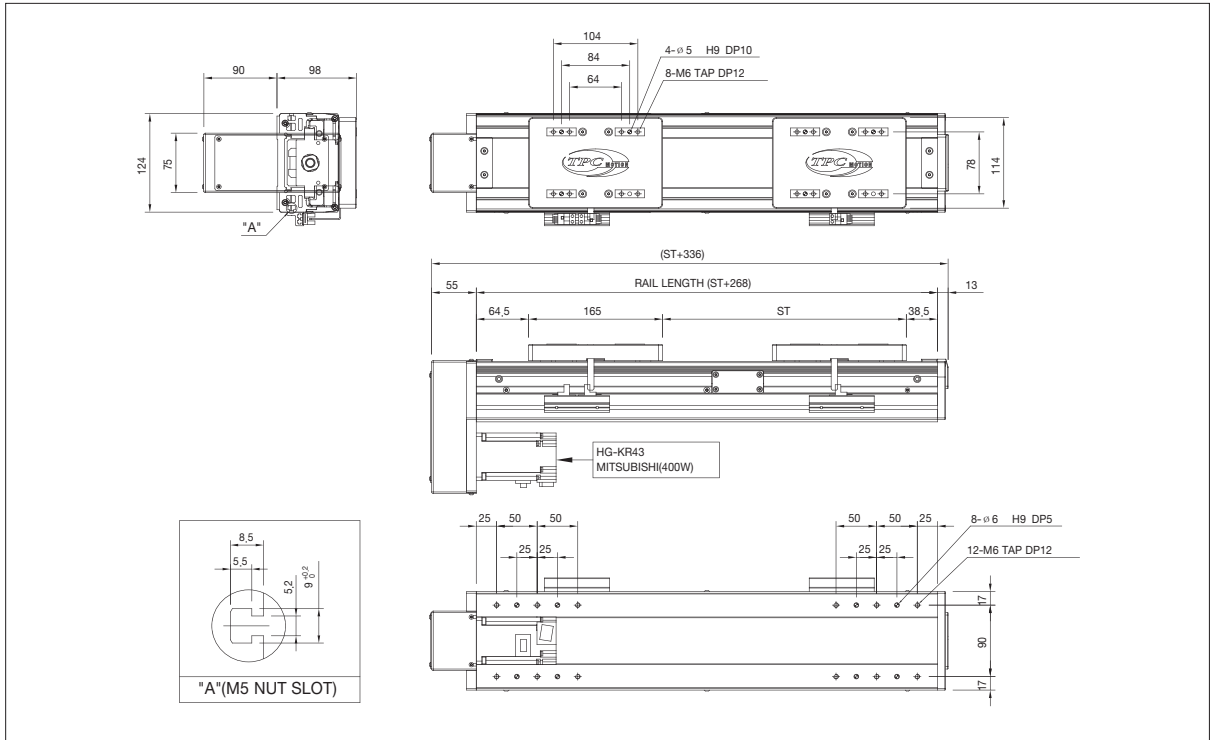
* This value is decided based on the lifetime formula of LM guide. (the lifetime of LM is 16,000 hours.)

Basic specifications

Model	Stroke (mm)	Lead (mm)	Speed (mm/s)	Motor (W)	Max. Payload(kg)	
					Horizontal	Vertical
NCS120 – PB	50 ~ 940	10	500	200	80	20
		20	1000	400	40	15

Note: The length of the stroke listed above indicates the standard length for ground type ballscrew. Please contact us for other options not listed above.

NCS120–PB Dimensions



– Please contact us for a change in sensor or motor options.

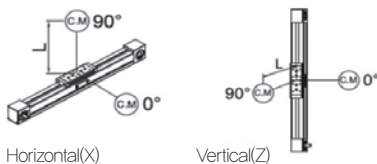
– Customized TAP or PIN Pitch on the bottom is available.

Note: The dimension above is provided for your reference only. For an accurate measurement, please refer to the approved drawing.

Weight & speed for each stroke

Stroke(mm)	100	200	300	400	500	600	700	800	900	1000	Lead (mm)	Motor (W)
Weight(kg)	8.4	9.5	10.6	11.7	12.8	13.9	15.0	16.1	17.2	18.3		
Max. Speed (mm/s)	500						440	370	300	250	10	200
	1000						890	700	600	500	20	(400)

Allowable overhang distance



Direction		NCS120–L15		NCS120–L20(400W)	
		60kg	30kg	20kg	10kg
Horizontal (X)	0°	150mm	300mm	150mm	300mm
	90°	450mm	1350mm	1000mm	2100mm
Vertical (Z)		20kg	10kg	8kg	4kg
	0°	150mm	300mm	150mm	300mm
	90°	150mm	400mm	300mm	650mm

* This value is decided based on the lifetime formula of LM guide. (the lifetime of LM is 16,000 hours.)

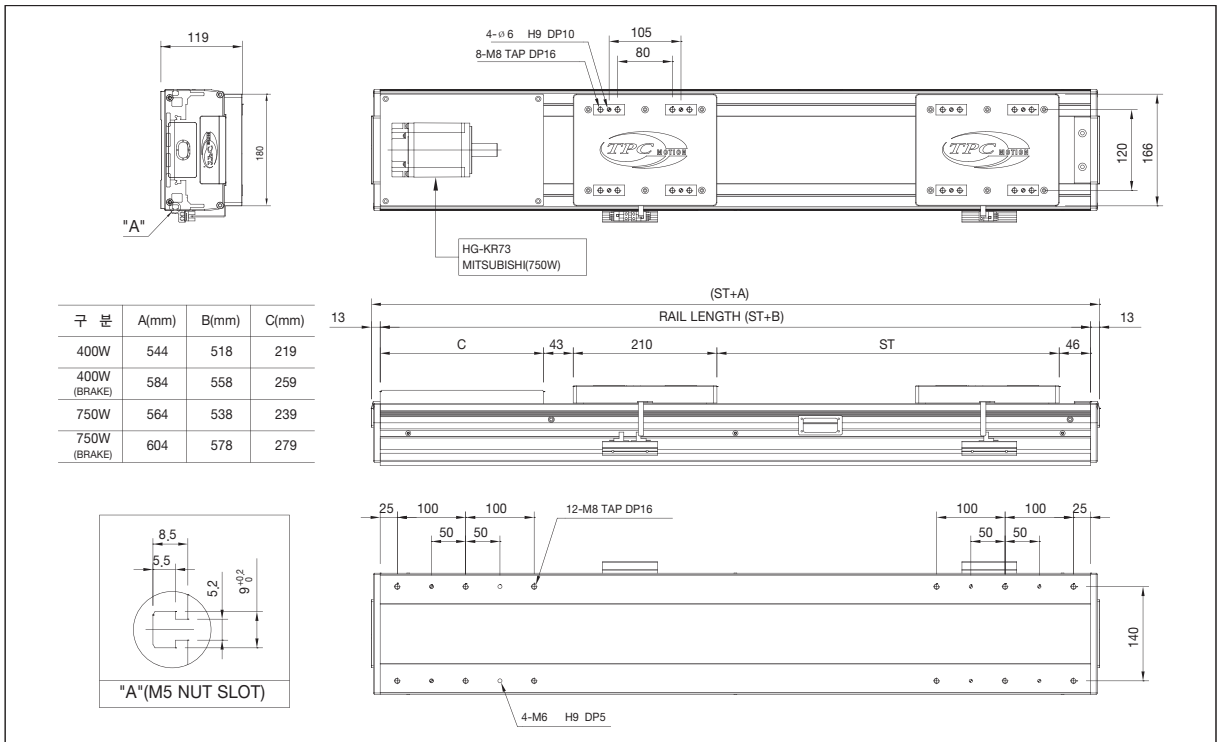
NCS180 – M

Basic specifications

Model	Stroke (mm)	Lead (mm)	Speed (mm/s)	Motor (W)	Max. Payload(kg)	
					Horizontal	Vertical
NCS180 – M	50 ~ 1160	10	500	400	120	30
		20	1000		60	12
		20	1000	750	100	23

Note: The length of the stroke listed above indicates the standard length for ground type ballscrew. Please contact us for other options not listed above.

NCS180-M Dimensions



– Please contact us for a change in sensor or motor options.

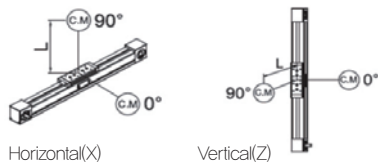
– Customized TAP or PIN Pitch on the bottom is available.

Note: The dimension above is provided for your reference only. For an accurate measurement, please refer to the approved drawing.

Weight & speed for each stroke

Stroke(mm)	100	200	300	400	500	600	700	800	900	1000	1100	1200	Lead (mm)	Motor (W)
Weight(kg)	19.5	21.5	23.5	25.5	27.5	29.5	31.5	33.5	35.5	37.5	39.5	41.5		
Max. Speed (mm/s)	500						475	400	320	280	240	200	10	400
	1000						950	800	640	560	480	400	20	(750)

Allowable overhang distance



Direction	NCS180-L10		NCS180-L20		NCS180-L20(750W)		
Horizontal (X)	30kg	15kg	30kg	15kg	30kg	15kg	
	0°	25mm	50mm	25mm	50mm	25mm	50mm
	90°	200mm	750mm	200mm	750mm	200mm	750mm
Vertical (Z)	10kg	5kg	10kg	5kg	10kg	5kg	
	0°	25mm	50mm	25mm	50mm	25mm	50mm
	90°	250mm	470mm	250mm	470mm	250mm	470mm

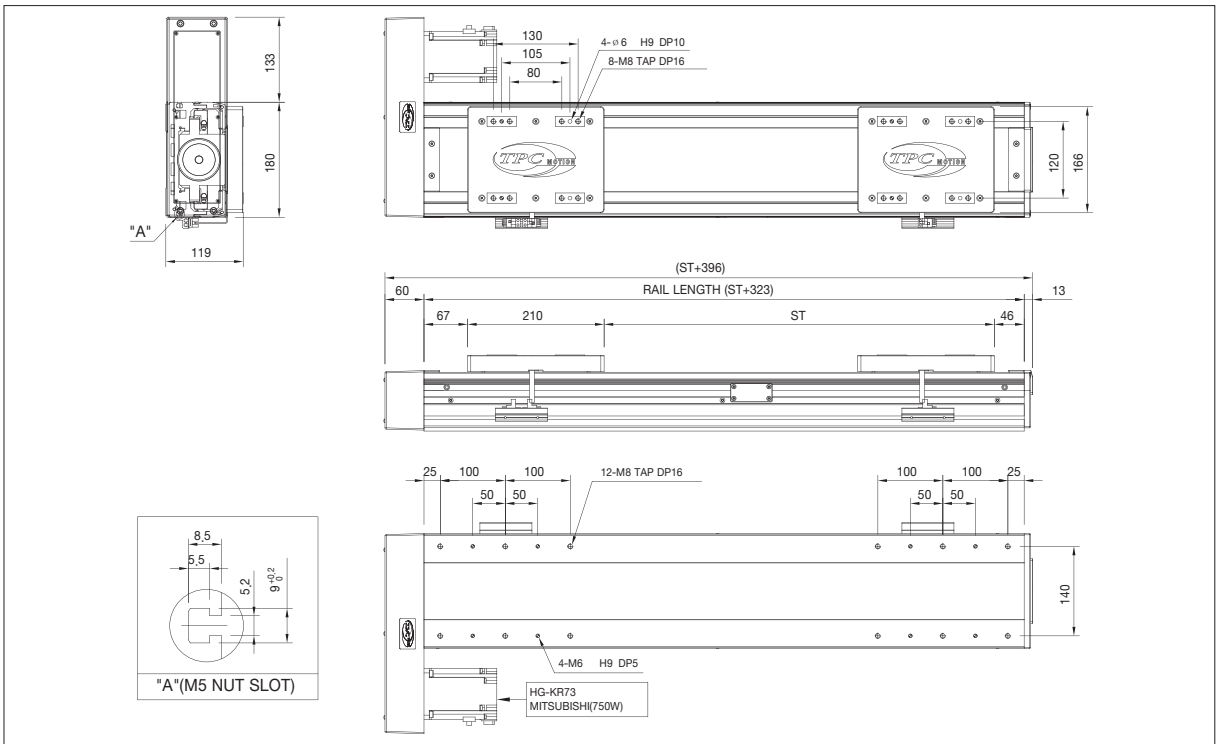
* This value is decided based on the lifetime formula of LM guide, (the lifetime of LM is 16,000 hours).

Basic specifications

Model	Stroke (mm)	Lead (mm)	Speed (mm/s)	Motor (W)	Max. Payload(kg)	
					Horizontal	Vertical
NCS180 – PL	50 ~ 1160	10	500	400	120	30
		20	1000		60	12
		20	1000	750	100	23

Note: The length of the stroke listed above indicates the standard length for ground type ballscrew. Please contact us for other options not listed above.

NCS180-PL Dimensions



- Please contact us for a change in sensor or motor options.

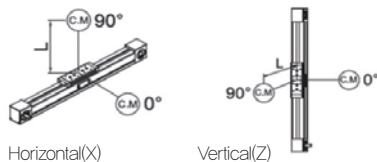
- Customized TAP or PIN Pitch on the bottom is available.

Note: The dimension above is provided for your reference only. For an accurate measurement, please refer to the approved drawing.

Weight & speed for each stroke

Stroke(mm)	100	200	300	400	500	600	700	800	900	1000	1100	1200	Lead (mm)	Motor (W)
Weight(kg)	19.5	21.5	23.5	25.5	27.5	29.5	31.5	33.5	35.5	37.5	39.5	41.5		
Max. Speed (mm/s)	500						475	400	320	280	240	200	10	400 (750)
	1000						950	800	640	560	480	400	20	

Allowable overhang distance



Direction		NCS180-L10		NCS180-L20		NCS180-L20(750W)	
Horizontal (X)	0°	30kg	15kg	30kg	15kg	30kg	15kg
	90°	25mm	50mm	25mm	50mm	25mm	50mm
Vertical (Z)	0°	200mm	750mm	200mm	750mm	200mm	750mm
	90°	10kg	5kg	10kg	5kg	10kg	5kg
	0°	25mm	50mm	25mm	50mm	25mm	50mm
	90°	250mm	470mm	250mm	470mm	250mm	470mm

* This value is decided based on the lifetime formula of LM guide. (the lifetime of LM is 16,000 hours.)

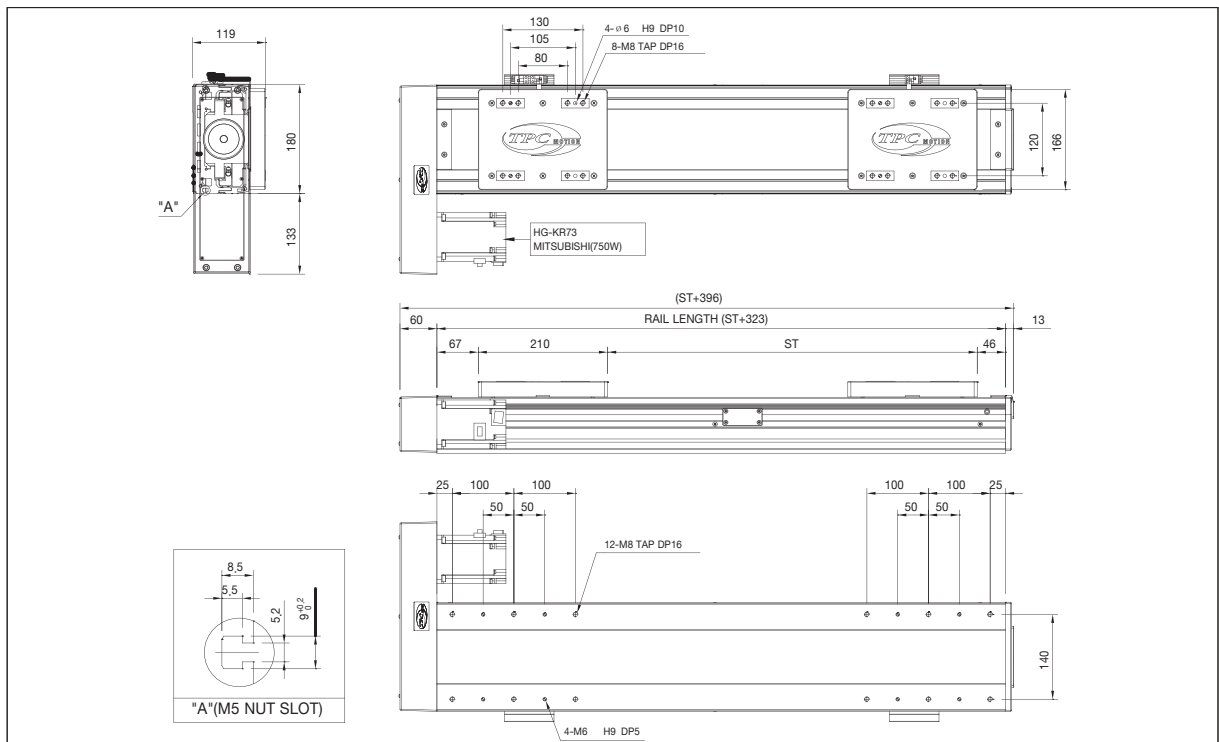
NCS180 – PR

Basic specifications

Model	Stroke (mm)	Lead (mm)	Speed (mm/s)	Motor (W)	Max. Payload(kg)	
					Horizontal	Vertical
NCS180 – PR	50 ~ 1160	10	500	400	120	30
		20	1000		60	12
		20	1000	750	100	23

Note: The length of the stroke listed above indicates the standard length for ground type ballscrew. Please contact us for other options not listed above.

NCS180-PR Dimensions



– Please contact us for a change in sensor or motor options.

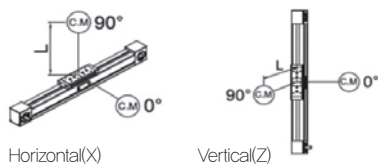
– Customized TAP or PIN Pitch on the bottom is available.

Note: The dimension above is provided for your reference only. For an accurate measurement, please refer to the approved drawing.

Weight & speed for each stroke

Stroke(mm)	100	200	300	400	500	600	700	800	900	1000	1100	1200	Lead (mm)	Motor (W)
Weight(kg)	19.5	21.5	23.5	25.5	27.5	29.5	31.5	33.5	35.5	37.5	39.5	41.5		
Max. Speed (mm/s)	500						475	400	320	280	240	200	10	400 (750)
	1000						950	800	640	560	480	400	20	

Allowable overhang distance



Direction	NCS180-L10		NCS180-L20		NCS180-L20(750W)		
Horizontal (X)	30kg	15kg	30kg	15kg	30kg	15kg	
	0°	25mm	50mm	25mm	50mm	25mm	50mm
	90°	200mm	750mm	200mm	750mm	200mm	750mm
Vertical (Z)	10kg	5kg	10kg	5kg	10kg	5kg	
	0°	25mm	50mm	25mm	50mm	25mm	50mm
	90°	250mm	470mm	250mm	470mm	250mm	470mm

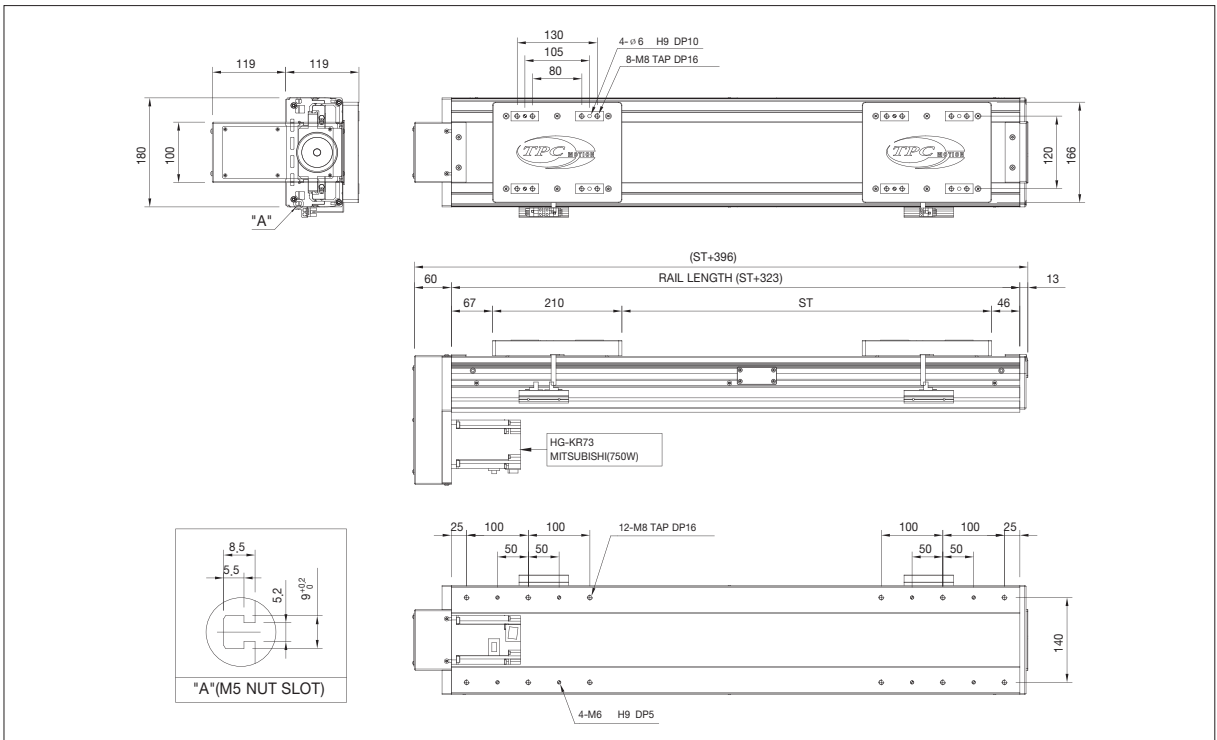
* This value is decided based on the lifetime formula of LM guide, (the lifetime of LM is 16,000 hours.)

Basic specifications

Model	Stroke (mm)	Lead (mm)	Speed (mm/s)	Motor (W)	Max. Payload(kg)	
					Horizontal	Vertical
NCS180 – PB	50 ~ 1160	10	500	400	120	30
		20	1000		60	12
		20	1000	750	100	23

Note: The length of the stroke listed above indicates the standard length for ground type ballscrew. Please contact us for other options not listed above.

NCS180-PB Dimensions



– Please contact us for a change in sensor or motor options.

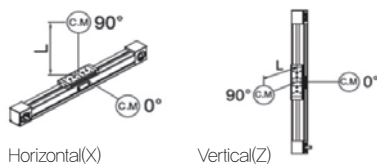
– Customized TAP or PIN Pitch on the bottom is available.

Note: The dimension above is provided for your reference only. For an accurate measurement, please refer to the approved drawing.

Weight & speed for each stroke

Stroke(mm)	100	200	300	400	500	600	700	800	900	1000	1100	1200	Lead (mm)	Motor (W)
Weight(kg)	19.5	21.5	23.5	25.5	27.5	29.5	31.5	33.5	35.5	37.5	39.5	41.5		
Max. Speed (mm/s)	500						475	400	320	280	240	200	10	400 (750)
	1000						950	800	640	560	480	400	20	

Allowable overhang distance



Direction		NCS180-L10		NCS180-L20		NCS180-L20(750W)	
Horizontal (X)	0°	30kg	15kg	30kg	15kg	30kg	15kg
	90°	25mm	50mm	25mm	50mm	25mm	50mm
Vertical (Z)	0°	200mm	750mm	200mm	750mm	200mm	750mm
	90°	10kg	5kg	10kg	5kg	10kg	5kg
	0°	25mm	50mm	25mm	50mm	25mm	50mm
	90°	250mm	470mm	250mm	470mm	250mm	470mm

* This value is decided based on the lifetime formula of LM guide. (the lifetime of LM is 16,000 hours.)

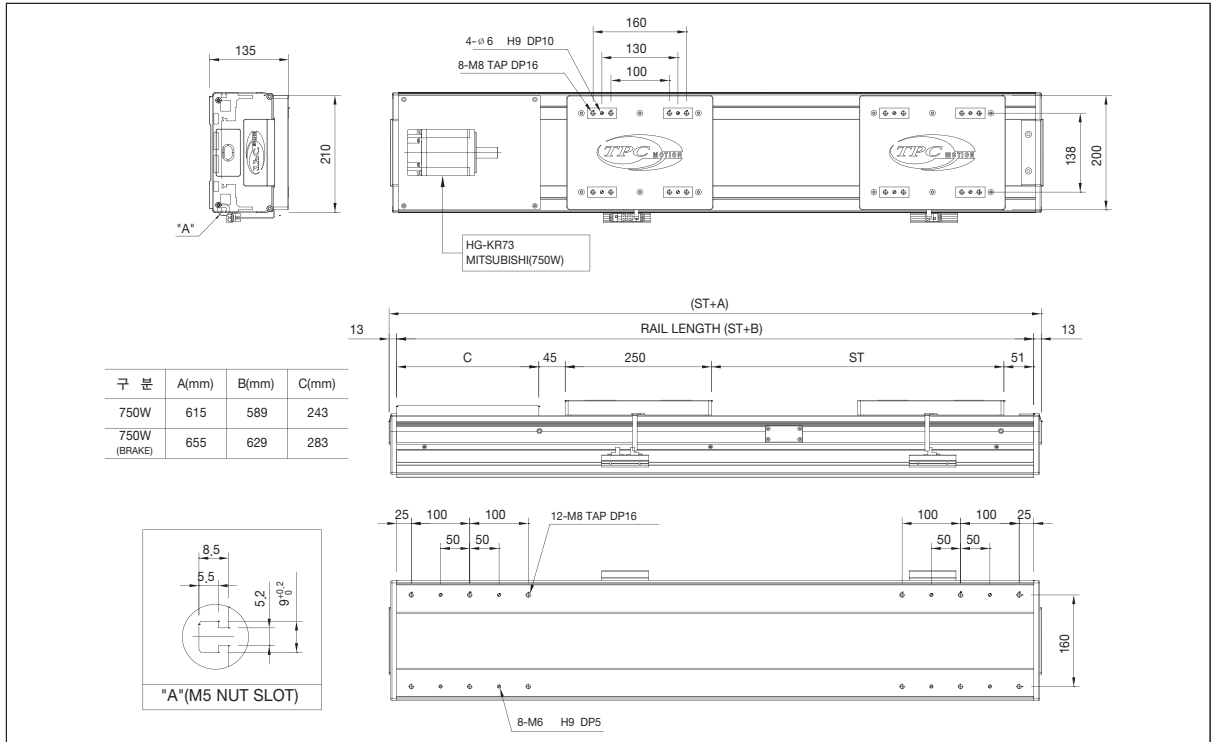
NCS210 – M

Basic specifications

Model	Stroke (mm)	Lead (mm)	Speed (mm/s)	Motor (W)	Max. Payload(kg)	
					Horizontal	Vertical
NCS210 – M	50 ~ 1160	10	500	750	170	80
		20	1000		120	35

Note: The length of the stroke listed above indicates the standard length for ground type ballscrew. Please contact us for other options not listed above.

NCS210-M Dimensions



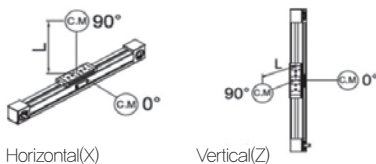
- Please contact us for a change in sensor or motor options.
- Customized TAP or PIN Pitch on the bottom is available.

Note: The dimension above is provided for your reference only. For an accurate measurement, please refer to the approved drawing.

Weight & speed for each stroke

Stroke(mm)	100	200	300	400	500	600	700	800	900	1000	1100	1200	Lead (mm)	Motor (W)
Weight(kg)	26.4	28.9	31.4	33.9	36.4	38.9	41.4	43.9	46.4	48.9	51.4	53.9		
Max. Speed (mm/s)	500						475	400	320	280	240	200	10	750
	1000						950	800	640	560	480	400	20	

Allowable overhang distance



Direction	NCS210-L10		NCS210-L20		
	140kg	70kg	100kg	50kg	
Horizontal (X)	0°	150mm	300mm	150mm	300mm
	90°	1150mm	2500mm	580mm	1400mm
Vertical (Z)	0°	50kg	25kg	30kg	15kg
	90°	150mm	300mm	150mm	300mm
		650mm	1200mm	700mm	1550mm

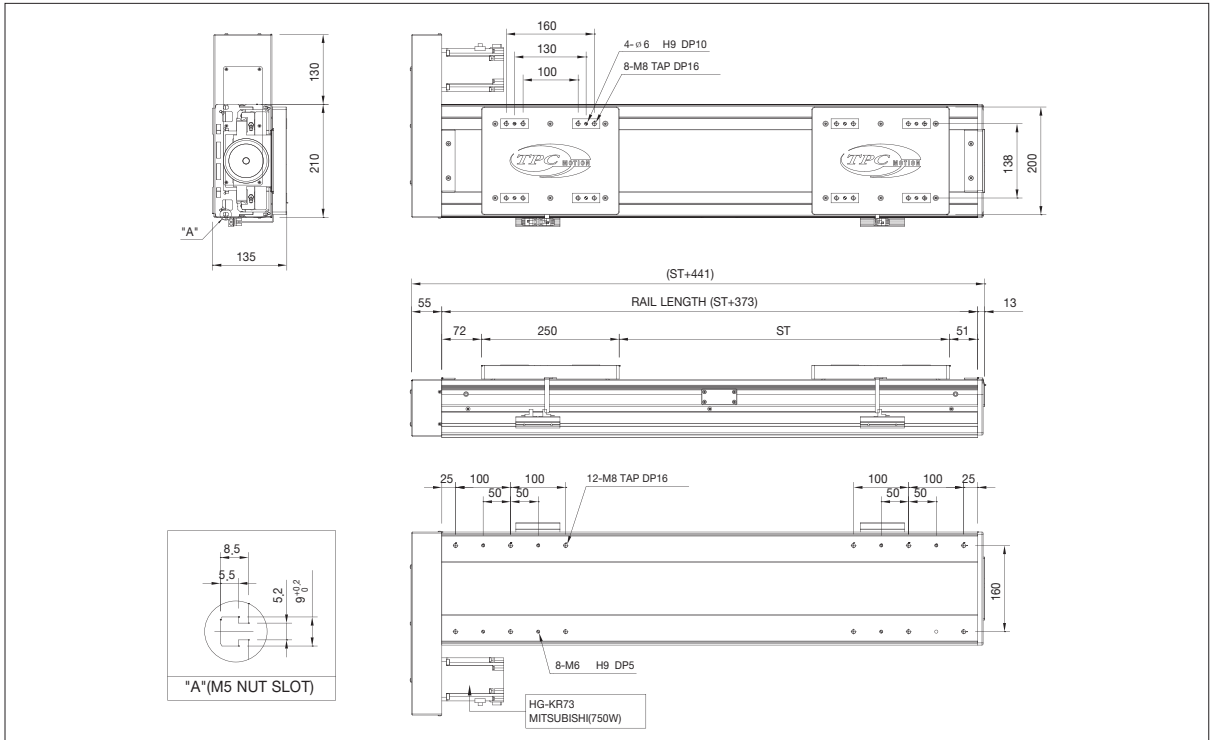
* This value is decided based on the lifetime formula of LM guide. (the lifetime of LM is 16,000 hours.)

Basic specifications

Model	Stroke (mm)	Lead (mm)	Speed (mm/s)	Motor (W)	Max. Payload(kg)	
					Horizontal	Vertical
NCS210 – PL	50 ~ 1160	10	500	750	170	80
		20	1000		120	35

Note: The length of the stroke listed above indicates the standard length for ground type ballscrew. Please contact us for other options not listed above.

NCS210-PL Dimensions



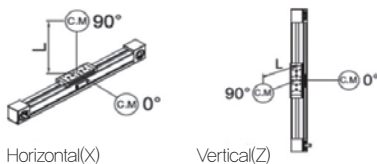
- Please contact us for a change in sensor or motor options.
- Customized TAP or PIN Pitch on the bottom is available.

Note: The dimension above is provided for your reference only. For an accurate measurement, please refer to the approved drawing.

Weight & speed for each stroke

Stroke(mm)	100	200	300	400	500	600	700	800	900	1000	1100	1200	Lead (mm)	Motor (W)
Weight(kg)	26.4	28.9	31.4	33.9	36.4	38.9	41.4	43.9	46.4	48.9	51.4	53.9		
Max. Speed (mm/s)	500						475	400	320	280	240	200	10	750
	1000						950	800	640	560	480	400	20	

Allowable overhang distance



Direction	NCS210-L10		NCS210-L20	
	Load	Stroke	Load	Stroke
Horizontal (X)	140kg	70kg	100kg	50kg
	150mm	300mm	150mm	300mm
Vertical (Z)	1150mm	2500mm	580mm	1400mm
	50kg	25kg	30kg	15kg
Vertical (Z)	150mm	300mm	150mm	300mm
	650mm	1200mm	700mm	1550mm

* This value is decided based on the lifetime formula of LM guide. (The lifetime of LM is 16,000 hours.)

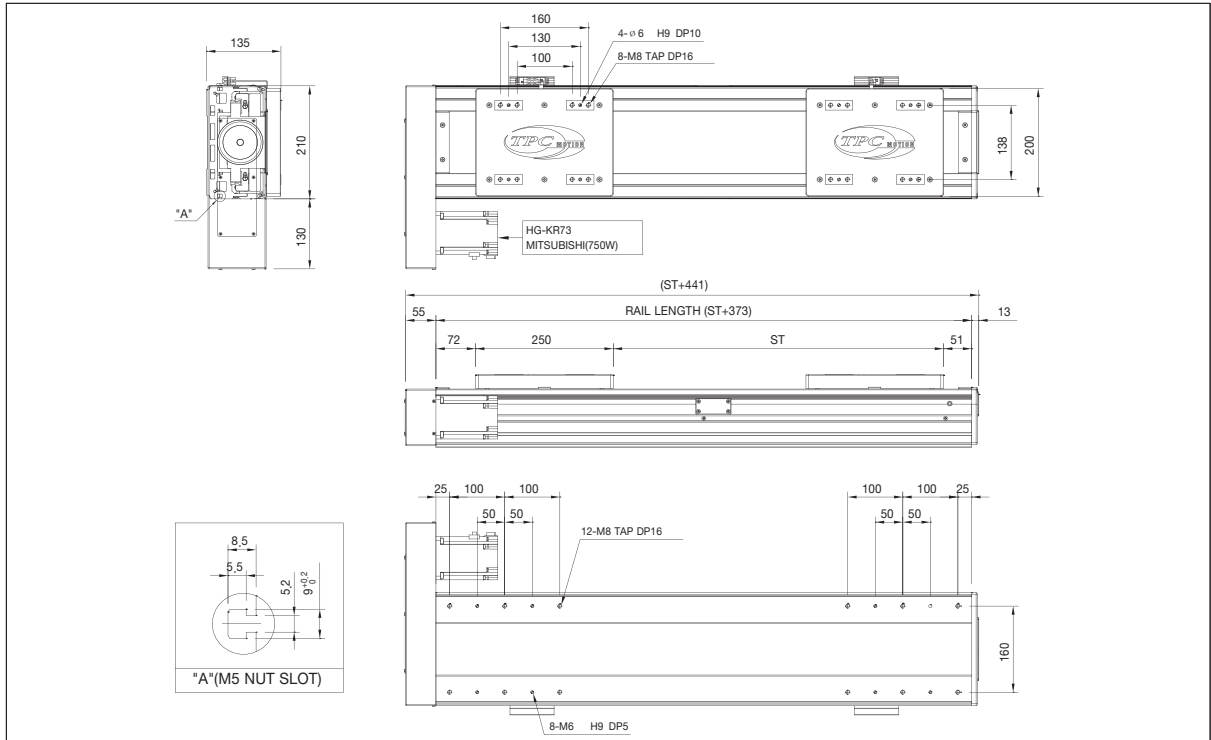
NCS210 – PR

Basic specifications

Model	Stroke (mm)	Lead (mm)	Speed (mm/s)	Motor (W)	Max. Payload(kg)	
					Horizontal	Vertical
NCS210 – PR	50 ~ 1160	10	500	750	170	80
		20	1000		120	35

Note: The length of the stroke listed above indicates the standard length for ground type ballscrew. Please contact us for other options not listed above.

NCS210-PR Dimensions



– Please contact us for a change in sensor or motor options.

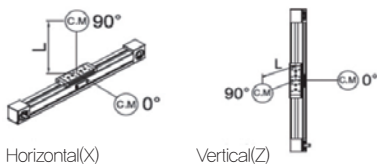
– Customized TAP or PIN Pitch on the bottom is available.

Note: The dimension above is provided for your reference only. For an accurate measurement, please refer to the approved drawing.

Weight & speed for each stroke

Stroke(mm)	100	200	300	400	500	600	700	800	900	1000	1100	1200	Lead (mm)	Motor (W)
Weight(kg)	26.4	28.9	31.4	33.9	36.4	38.9	41.4	43.9	46.4	48.9	51.4	53.9		
Max. Speed (mm/s)	500						475	400	320	280	240	200	10	750
	1000						950	800	640	560	480	400	20	

Allowable overhang distance



Direction	NCS210-L10		NCS210-L20	
	Horizontal (X)	140kg	70kg	100kg
0°		150mm	300mm	150mm
90°		1150mm	2500mm	580mm
Vertical (Z)	50kg	25kg	30kg	15kg
	0°	150mm	300mm	150mm
	90°	650mm	1200mm	700mm

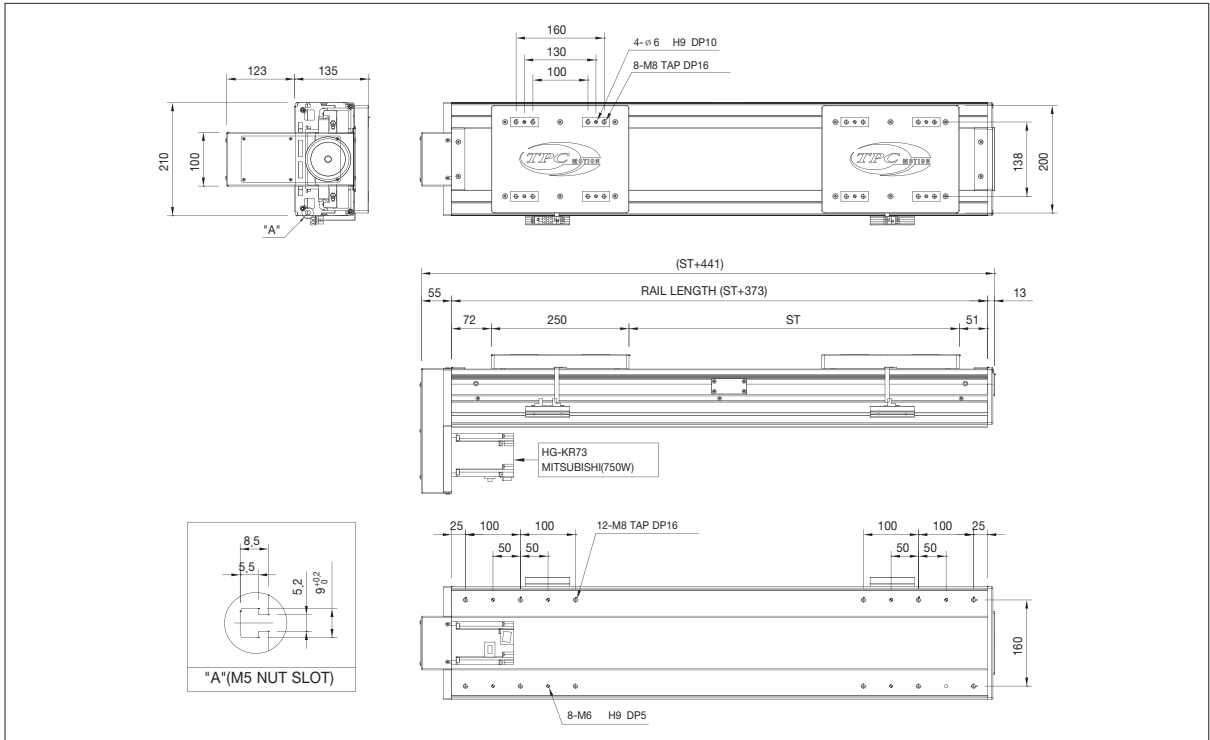
* This value is decided based on the lifetime formula of LM guide. (the lifetime of LM is 16,000 hours.)

Basic specifications

Model	Stroke (mm)	Lead (mm)	Speed (mm/s)	Motor (W)	Max. Payload(kg)	
					Horizontal	Vertical
NCS210 – PB	50 ~ 1160	10	500	750	170	80
		20	1000		120	35

Note: The length of the stroke listed above indicates the standard length for ground type ballscrew. Please contact us for other options not listed above.

NCS210–PB Dimensions



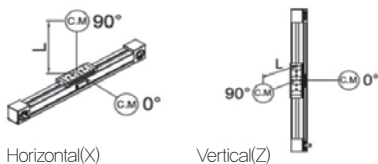
- Please contact us for a change in sensor or motor options.
- Customized TAP or PIN Pitch on the bottom is available.

Note: The dimension above is provided for your reference only. For an accurate measurement, please refer to the approved drawing.

Weight & speed for each stroke

Stroke(mm)	100	200	300	400	500	600	700	800	900	1000	1100	1200	Lead (mm)	Motor (W)
Weight(kg)	26.4	28.9	31.4	33.9	36.4	38.9	41.4	43.9	46.4	48.9	51.4	53.9		
Max. Speed (mm/s)	500						475	400	320	280	240	200	10	750
	1000						950	800	640	560	480	400	20	

Allowable overhang distance



Direction	NCS210–L10		NCS210–L20	
	140kg	70kg	100kg	50kg
Horizontal (X)	0°	150mm	300mm	150mm
	90°	1150mm	2500mm	580mm
Vertical (Z)		50kg	25kg	30kg
	0°	150mm	300mm	150mm
	90°	650mm	1200mm	700mm

* This value is decided based on the lifetime formula of LM guide. (the lifetime of LM is 16,000 hours.)